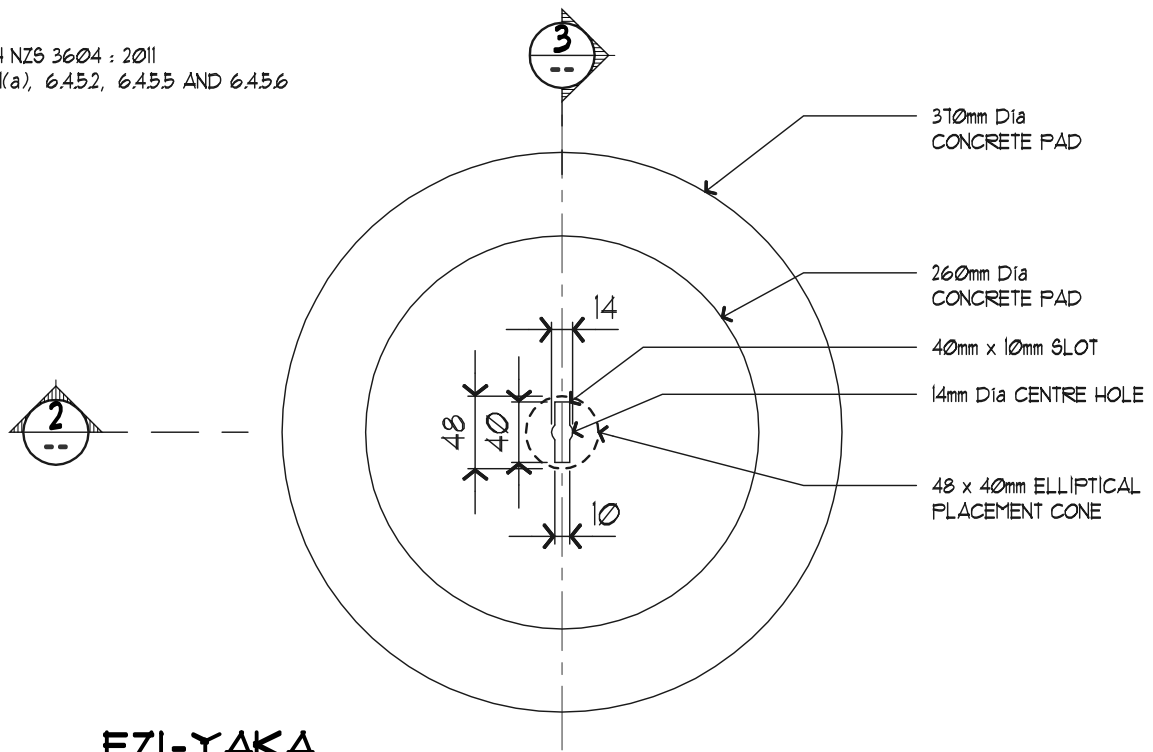
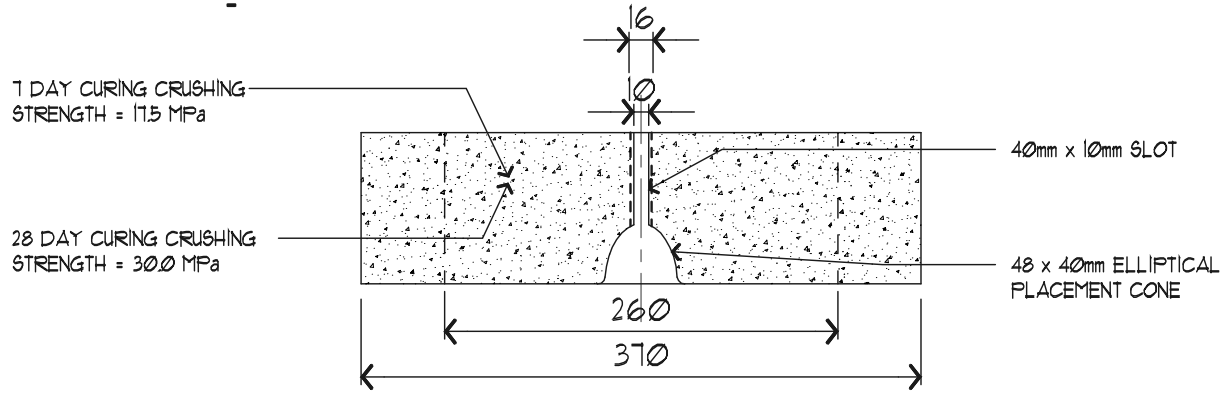


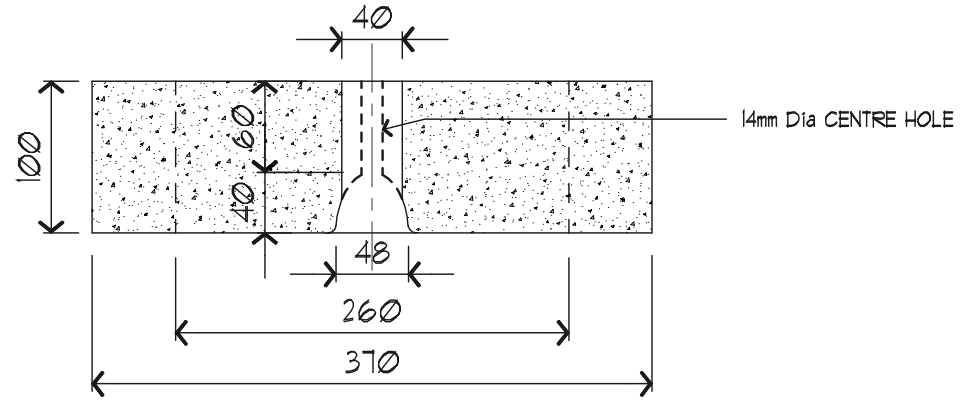
COMPLIES WITH NZS 3604 : 2011
 CLAUSES 6.4.5.1(a), 6.4.5.2, 6.4.5.5 AND 6.4.5.6



1 EZI-YAKA FOUNDATION PAD
 1 : 5



2 FOUNDATION PAD CROSS SECTION
 1 : 5



3 FOUNDATION PAD CROSS SECTION
 1 : 5

JOB TITLE :
260mm & 370mm Dia - 100mm THICK
"EZI-YAKA" FOUNDATION PAD
 --
 --

SHEET TITLE :

CONQRA
 A foundation for better building
 Email - info@conqra.com

DESIGN J.N.B.	SCALE 1:5	
DRAWN J.N.B.	DATE 15-03-2014	
JOB No 555	SHEET No 20	REV C