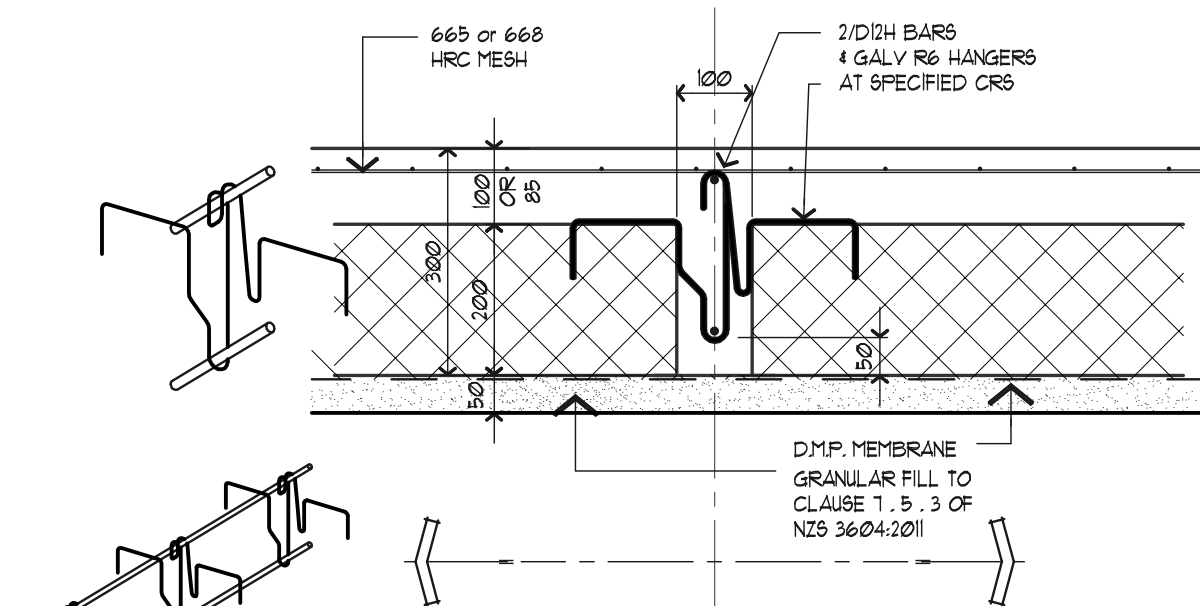


STRUCTURAL FLOOR BEAMS IN DOMESTIC DWELLING FLOORS TO INCORPORATE SHEAR LOADING.

(NOT SUPPORTING LOAD BEARING WALLS)

1.5 KpA FLOOR LOADS

(REPLACES THE USE OF TIED IN-SITU "C" LINKS)



STRUCTURAL FLOOR BEAMS IN DOMESTIC DWELLING FLOORS TO INCORPORATE SHEAR LOADING.

(NOT SUPPORTING LOAD BEARING WALLS)

1.5 KpA FLOOR LOADS

(REPLACES THE USE OF TIED IN-SITU "C" LINKS)

JOB TITLE :

"STUNNA" CONQRA RAFT TYPE
FLOOR COMPONENTS

SHEET TITLE :

CONQRA
A foundation for better building

Email - info@conqra.com

DESIGN

J.N.B.

DRAWN

J.N.B.

JOB No

555

SCALE

1:10

DATE

15-03-2014

SHEET No

15

REV

C