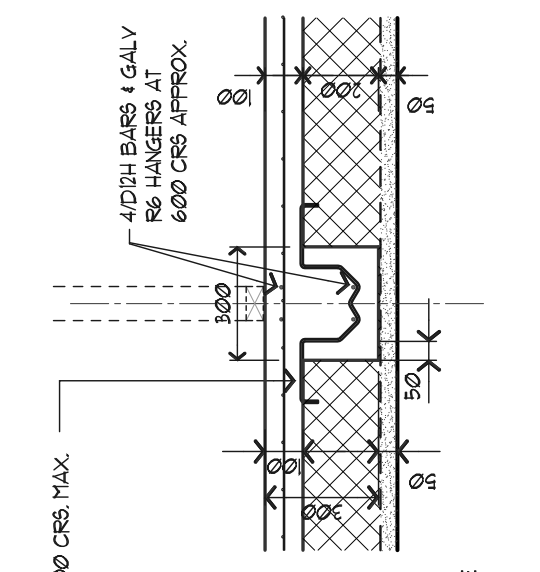
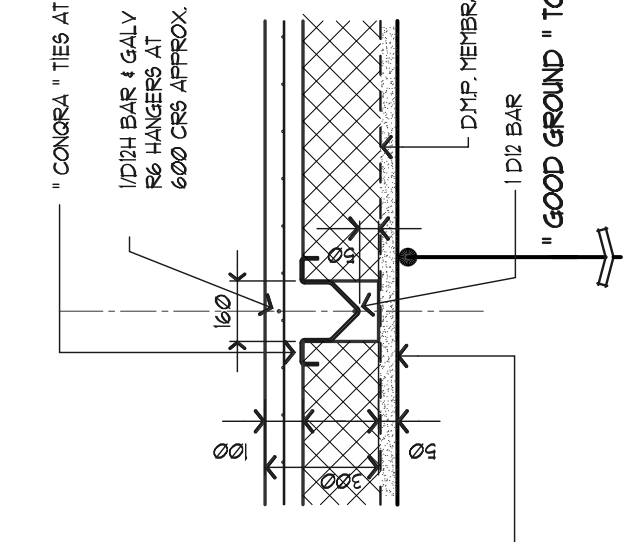


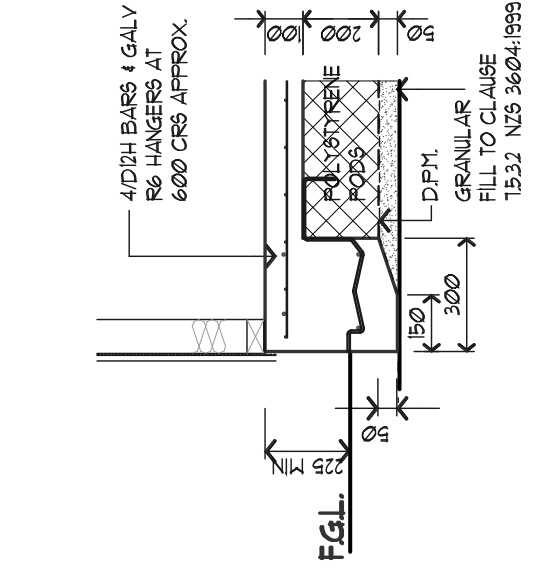
PERIMETER BEAM SUPPORTING WALL CLADDING & BRICK VENEER
 (DETAIL FOR WELL DRAINED SOILS SHOWN. REFER NZBC E2/M1 & A51 - FIG 6a FOR POORLY DRAINED SOILS)



FLOOR BEAMS UNDER LOAD BEARING WALLS
 2.5 kPa LIVE LOAD or 9 kN POINT LOAD

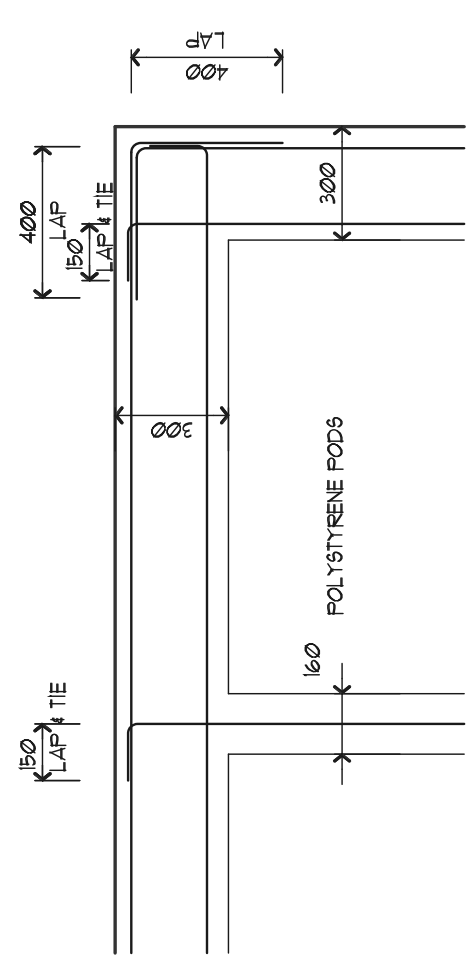


FLOOR BEAMS UNDER DOMESTIC DWELLING & GARAGE FLOOR SLABS.
 (NOT SUPPORTING LOAD BEARING WALLS)
 1.5 kPa FLOOR LOADS OR 2.5 kPa & 9 kN POINT LOADS.



PERIMETER BEAM SUPPORTING WALL & SHEET CLADDING
 (DETAIL FOR WELL DRAINED SOILS SHOWN. REFER NZBC E2/M1 & A51 - FIG 6a FOR POORLY DRAINED SOILS)
 PROVIDE PERIMETER DRAIN FOR POORLY DRAINED SOIL

TYPICAL FOUNDATION SECTIONS
 SCALE 1 : 20

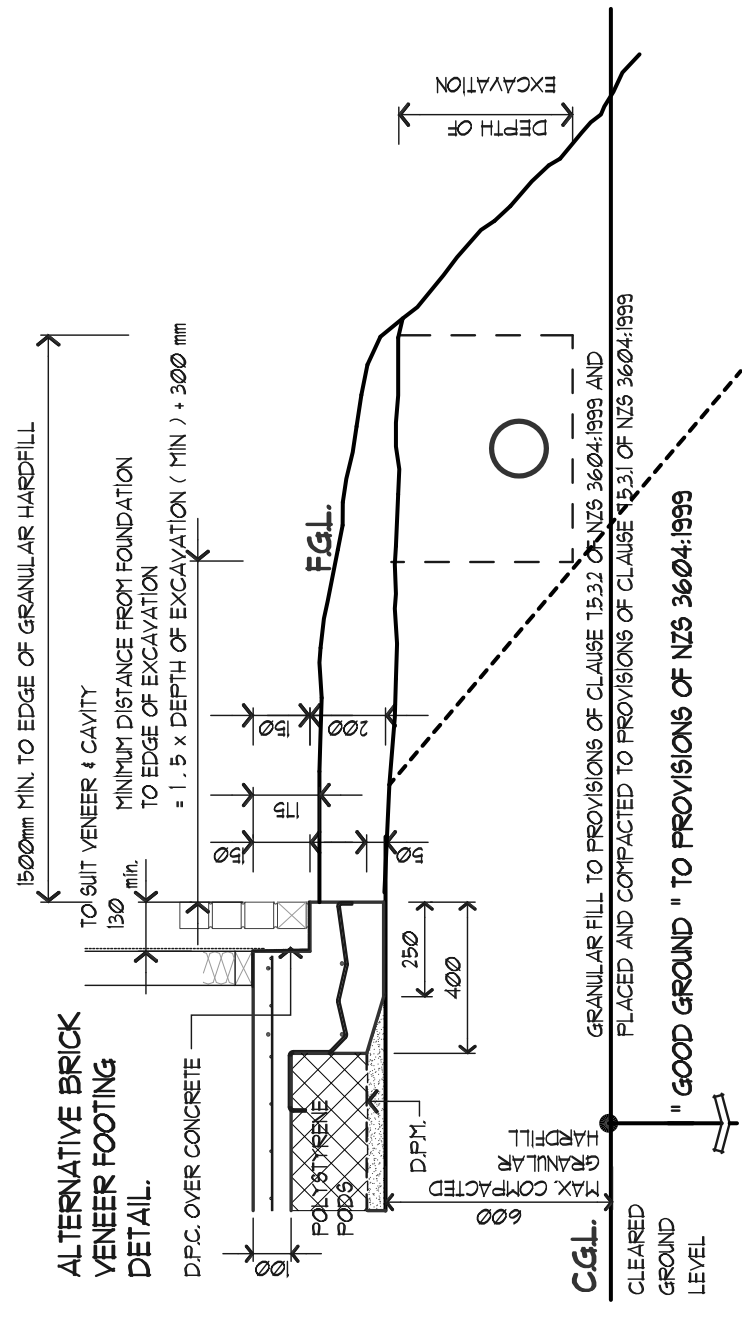


REINFORCEMENT LAP DETAILS
 LAP ALL BARS 400 mm

NOTE 1
 THE DETAILS SHOWN ON THIS DRAWING ARE ONLY TO BE USED IN CONJUNCTION WITH THE FOUNDATION PLAN SUPPLIED SPECIFYING TYPE AND SPACING OF PILES AND OTHER COMPONENTS APPROPRIATE TO SEISMIC ZONES
 ALL CONCRETE TO HAVE A 28 DAY CRUSHING STRENGTH OF 20 MPa
 SIZES OF SOLID POLYSTYRENE PODS :-
 1200 x 1200 x 200 DEEP
 & 1800 x 1200 x 200 DEEP
 THIS PLAN SHALL ONLY BE USED WITH SPECIFIC DESIGN OF THE FOUNDATION AND PRODUCERS STATEMENT PREPARED BY :- REGISTERED CONSULTING ENGINEER

PROVIDE 2/D12H BARS - 1200 LONG 150 APART AT 45° TO ALL SLAB RE-ENTRY INTERNAL CORNERS - OVER MESH

DESIGN	SCALE	A5 SHOWN
GB,EL,JB	DATE	MARCH 2014
DRAWN	SHEET No	03
J.N.B.	JOB No	555
REV	"C"	



SEWER EXCAVATIONS LIMITATIONS TO CONTROL UNDERMINING FOUNDATION BY BREAK OUT OF HARDFILL

WHERE BREAKOUT OF HARDFILL IS POSSIBLE - USE " CONQRA - BIGFOOT " SYSTEM TO SUPPORT FOUNDATION